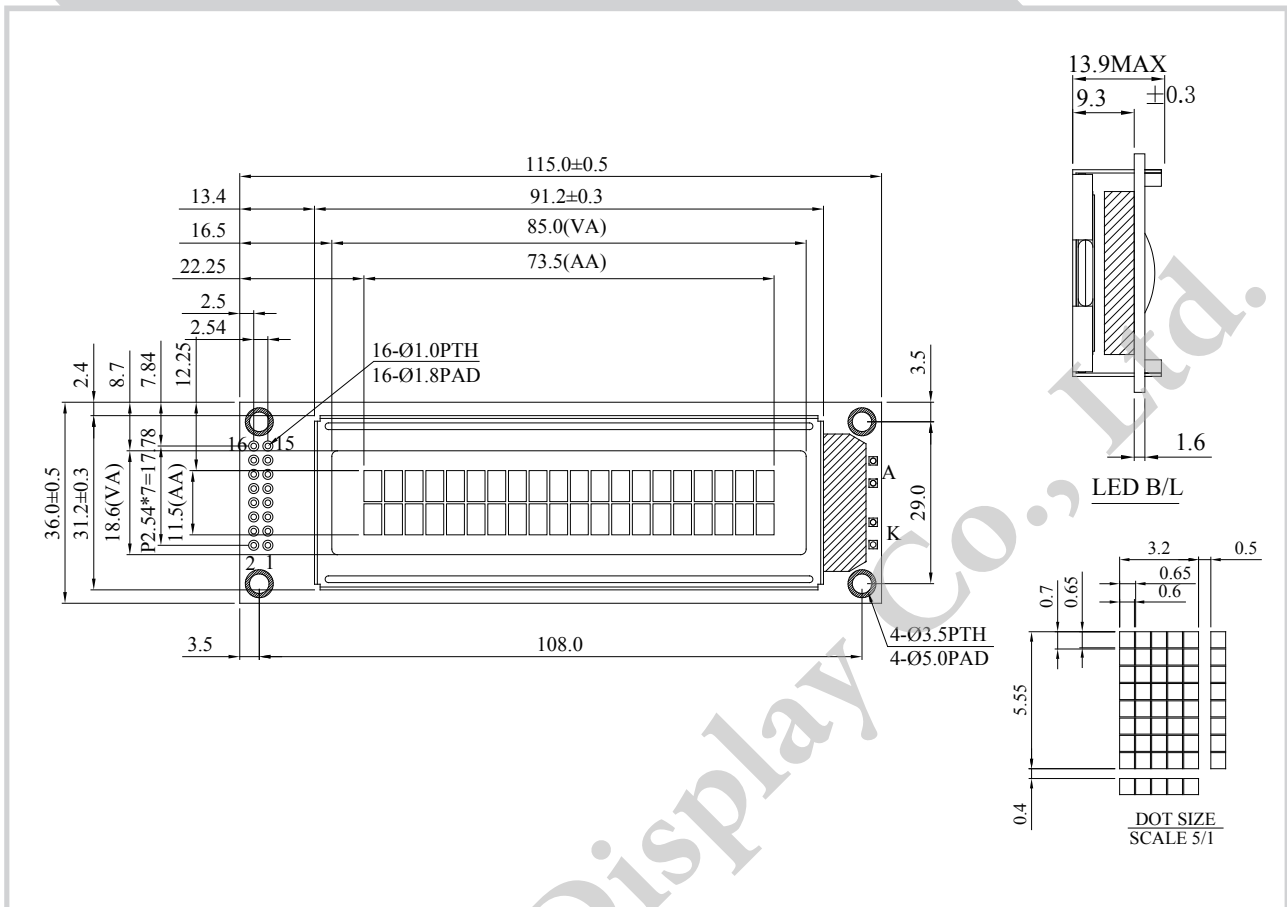


WH2002G VATN Character 20x2



Feature

1. 1.5x8 dots includes cursor
2. Built-in controller (ST7066 or Equivalent)
3. 3.5V power supply only
4. 1/16 duty cycle
5. LED type : Green / Blue / Red / White / Y- G
6. LED can be driven by PIN1, PIN2 or K
7. Interface : 6800

| Pin No. | Symbol | Description |
|---------|-----------------|---------------------------------|
| 1 | V _{SS} | Ground |
| 2 | V _{DD} | Power supply for logic |
| 3 | V _O | Contrast Adjustment |
| 4 | RS | Data/ Instruction select signal |
| 5 | R/W | Read/Write select signal |
| 6 | E | Enable signal |
| 7 | DB0 | Data bus line |
| 8 | DB1 | Data bus line |
| 9 | DB2 | Data bus line |
| 10 | DB3 | Data bus line |
| 11 | DB4 | Data bus line |
| 12 | DB5 | Data bus line |
| 13 | DB6 | Data bus line |
| 14 | DB7 | Data bus line |
| 15 | V _{EE} | Negative Voltage Output |
| 16 | K | Power supply for B/L - |

Mechanical Data

| Item | Standard Value | Unit |
|------------------|----------------|------|
| Module Dimension | 115.0 x 36.0 | mm |
| Viewing Area | 85.0 x 18.6 | mm |
| Mounting Hole | 108.0 x 29.0 | mm |
| Character Size | 3.2 x 5.55 | mm |

Electrical Characteristics

| Item | Symbol | Standard Value | Unit |
|---|--------|----------------|------|
| | | typ. | |
| Input Voltage | VDD | 5.0 | V |
| Recommended LCD Driving Voltage for Normal Temp. Version module @25°C | VDD-VO | 8.5 | V |

Display Character Address Code

| | | | | | | | | | | | | | | | | | | | | |
|-------------------|----|----|----|----|----|----|----|----|----|----|----|----|----|----|----|----|----|----|----|----|
| Character located | 1 | 2 | 3 | 4 | 5 | 6 | 7 | 8 | 9 | 10 | 11 | 12 | 13 | 14 | 15 | 16 | 17 | 18 | 19 | 20 |
| DDRAM address | 00 | 01 | 02 | 03 | 04 | 05 | 06 | 07 | 08 | 09 | 0A | 0B | 0C | 0D | 0E | 0F | 10 | 11 | 12 | 13 |
| DDRAM address | 40 | 41 | 42 | 43 | 44 | 45 | 46 | 47 | 48 | 49 | 4A | 4B | 4C | 4D | 4E | 4F | 50 | 51 | 52 | 53 |