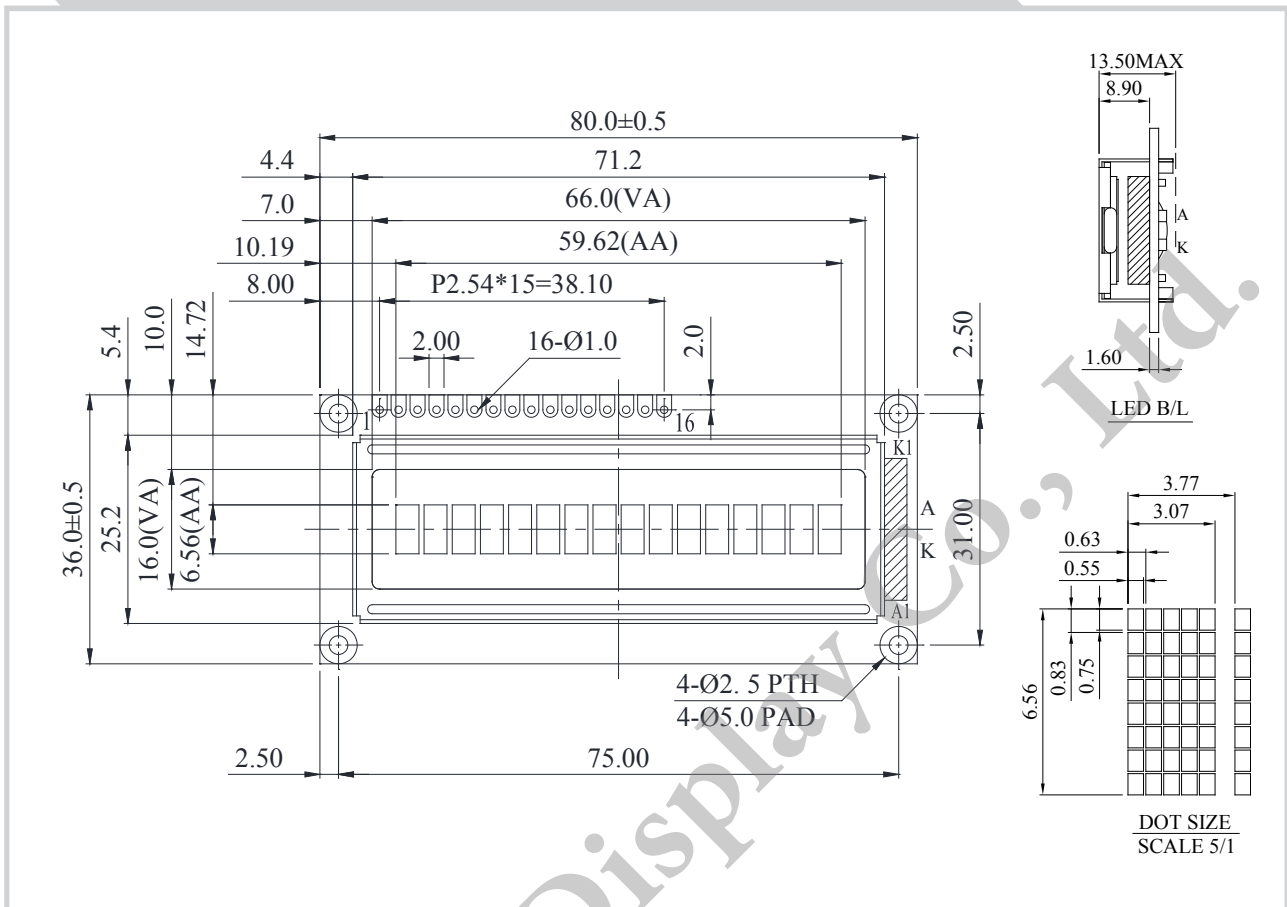


## WH1601A VATN Character 16x1



### Feature

1. 1.5x8 dots includes cursor
2. Built-in controller RW1063
3. 3.5V power supply only
4. 1/16 duty cycle
5. LED type : Green / Blue / Red / White / Y- G
6. LED can be driven by PIN1, PIN2 or K
7. Interface : Option 6800, SPI, I2C

Pin No.	Symbol	Description
1	V <sub>SS</sub>	Ground
2	V <sub>DD</sub>	Power supply for logic
3	V <sub>O</sub>	Contrast Adjustment
4	RS	Data/ Instruction select signal
5	R/W	Read/Write select signal
6	E	Enable signal
7	DB0	Data bus line
8	DB1	Data bus line
9	DB2	Data bus line
10	DB3	Data bus line
11	DB4	Data bus line
12	DB5	Data bus line
13	DB6	Data bus line
14	DB7	Data bus line
15	V <sub>EE</sub>	Negative Voltage Output
16	K	Power supply for B/L -

### Mechanical Data

Item	Standard Value	Unit
Module Dimension	80.0 x 36.0	mm
Viewing Area	66.0 x 16.0	mm
Mounting Hole	75.0 x 31.0	mm
Character Size	3.07 x 6.56	mm

### Electrical Characteristics

Item	Symbol	Standard Value	Unit
		typ.	
Input Voltage	VDD	5.0	V
Recommended LCD Driving Voltage for Normal Temp. Version module @25°C	VDD-VO	6.50	V

### Display Character Address Code

Display position 1 2 3 4 5 6 7 8 9 10 11 12 13 14 15 16  
 DD RAM Address 00|01| | | | | | 07|40|41| | | | | 47